

QPD4-2000-8000

4-Way, 2~8GHz

Features:
 * Small Size
 * Low Insertion Loss

Applications:
 * Amplifiers
 * Mixers
 * Antennas
 * Laboratory Test

Electrical

Frequency:	2~8GHz
Insertion Loss:	1.2dB max.
Input VSWR:	1.4 max.
Output VSWR:	1.3 max.
Isolation:	18dB min.
Amplitude Balance:	0.3dB max.
Phase Balance:	±4°
Impedance:	50Ω
Average Power:	30W max. 2W max. as combiner

Mechanical

Mounting:	4-Φ2.7mm through-hole (SMA) 4-Φ3.2mm through-hole (N)
-----------	--

Environmental

Operation Temperature:	-45~+85°C
------------------------	-----------

How To Order

QPD4-2000-8000-X-Y

X: Average power as divider

Y: Connector type

Connector naming rules:

S - SMA Female (Outline A)

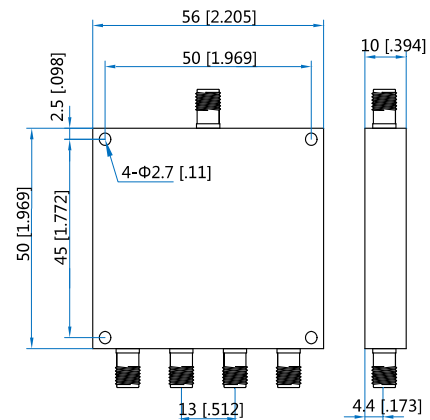
N - N Female (Outline B)

Examples:

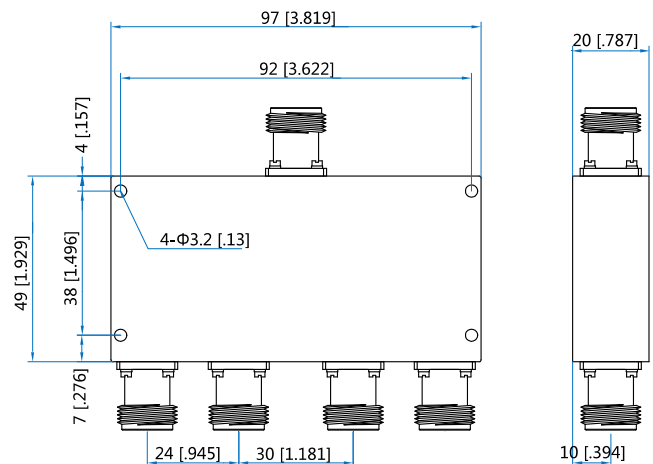
To order a 4-way power divider, 2~8GHz, 30W, N female, specify QPD4-2000-8000-30-N.

Customization is available upon request.

Outline Drawings



Outline A



Outline B

Unit: mm [in]
 Tolerance: ±0.5mm [±0.02in]